



High Current Power Inductors - SEP1004E SERIES



PART NUMBERING SYSTEM

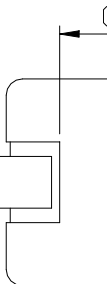
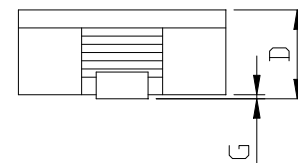
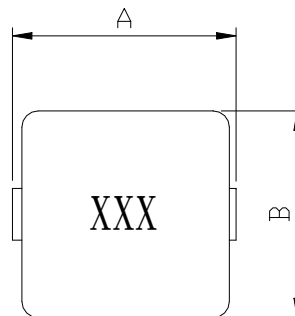
SEP	1004E	—	2R2M	—	LF
TYPE	DIMENSIONS		INDUCTANCE		LEAD FREE

SHAPES AND DIMENSIONS :



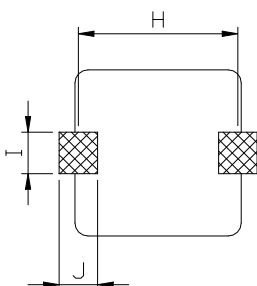
FEATURES :

- Magnetically shielded and low DC resistance .
- Inductance range : 0.19uH to 10uH with DC Current up to 90A.
- Ideal for DC – DC converter inductor application in hand help personal Computer ,etc .
- Frequency range up to 5MHZ .
- Lead Free with RoHS compliant .



A=11.5±0.5 B=10.5±0.5 C=6.0 Ref. D=4.0 Max. E=2.5 Ref. F=2.3 Ref. G=0.2 Max. UNIT : mm

RECOMMENDED PATTERNS



H= 9.50 I= 4.00 J= 3.50

UNIT : mm

High Current Power Inductors - SEP1004E SERIES



SPECIFICATION TABLE

PART NUMBER	INDUCTANCE (μH)	Isat (A) (Max.)	Irms (A) (Δ t) 40°C (Max.)	DCR (mΩ) (Max.)
SEP1004E-R19M-LF	0.19±20%	90.0	40.0	0.95
SEP1004E-R36M-LF	0.36±20%	60.0	31.5	1.40
SEP1004E-R56M-LF	0.56±20%	49.0	27.5	1.80
SEP1004E-1R0M-LF	1.00±20%	36.0	17.5	4.10
SEP1004E-1R5M-LF	1.50±20%	27.5	15.0	5.80
SEP1004E-2R2M-LF	2.20±20%	25.5	12.0	9.00
SEP1004E-3R3M-LF	3.30±20%	18.0	10.0	11.8
SEP1004E-4R7M-LF	4.70±20%	17.0	9.5	16.5
SEP1004E-5R6M-LF	5.60±20%	16.0	8.5	19.3
SEP1004E-6R8M-LF	6.80±20%	13.5	8.0	23.3
SEP1004E-8R2M-LF	8.20±20%	12.5	7.0	34.0
SEP1004E-100M-LF	10.0±20%	12.0	6.8	36.5

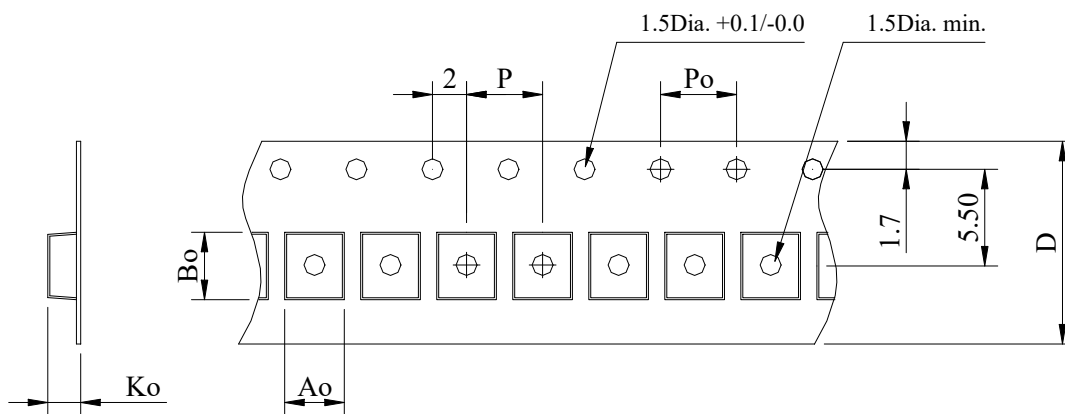
- Inductance measured at 100 kHz, 0.1 Vrms
- Isat : DC current at which the inductance drops 20% (typ) from its value without current.
- Irms : Average current for a 40°C temperature rise above 25°C ambient.
- Operating temperature range -40°C to +125°C ,
- Electrical specifications at 25°C.



High Current Power Inductors - SEP1004E SERIES



PACKAGING SPECIFICATION



STAYLE	Q'TY (PCS)	DIMENSIONS (m/m)					
		A_o	B_o	K_o	P	P_o	$D\pm 0.3$
13"	500	12.2	11.2	4.1	16	4.0	24